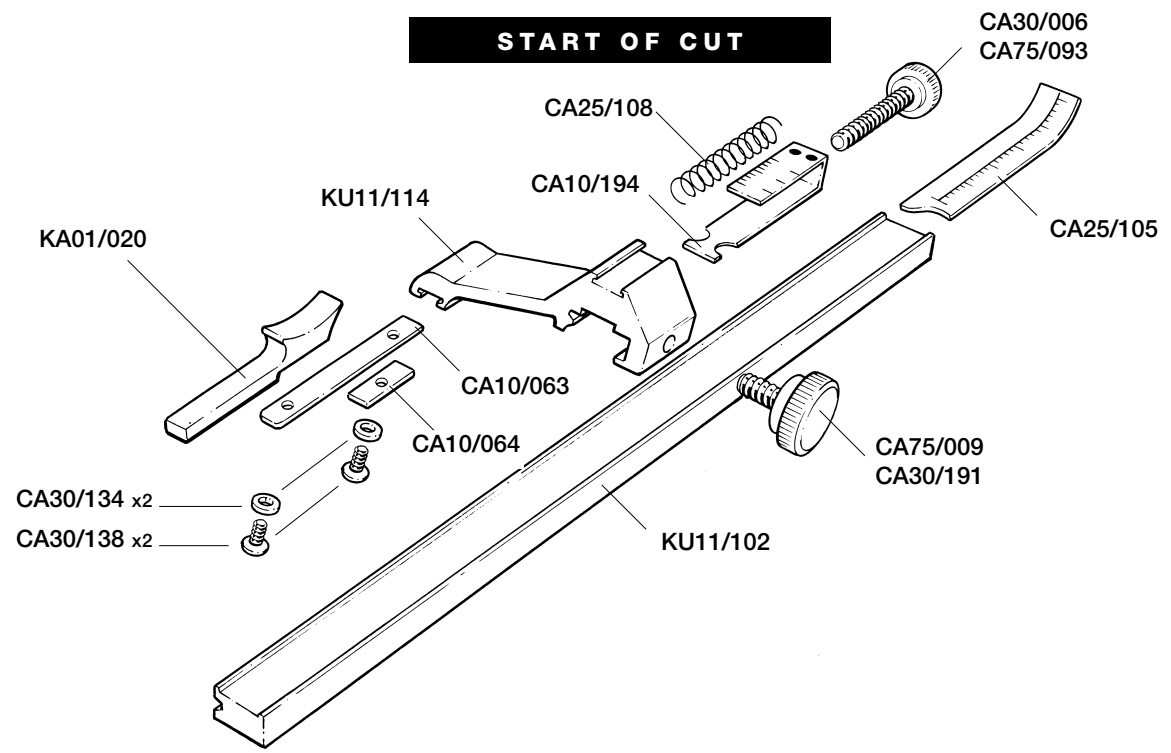


ULTIMAT GOLD

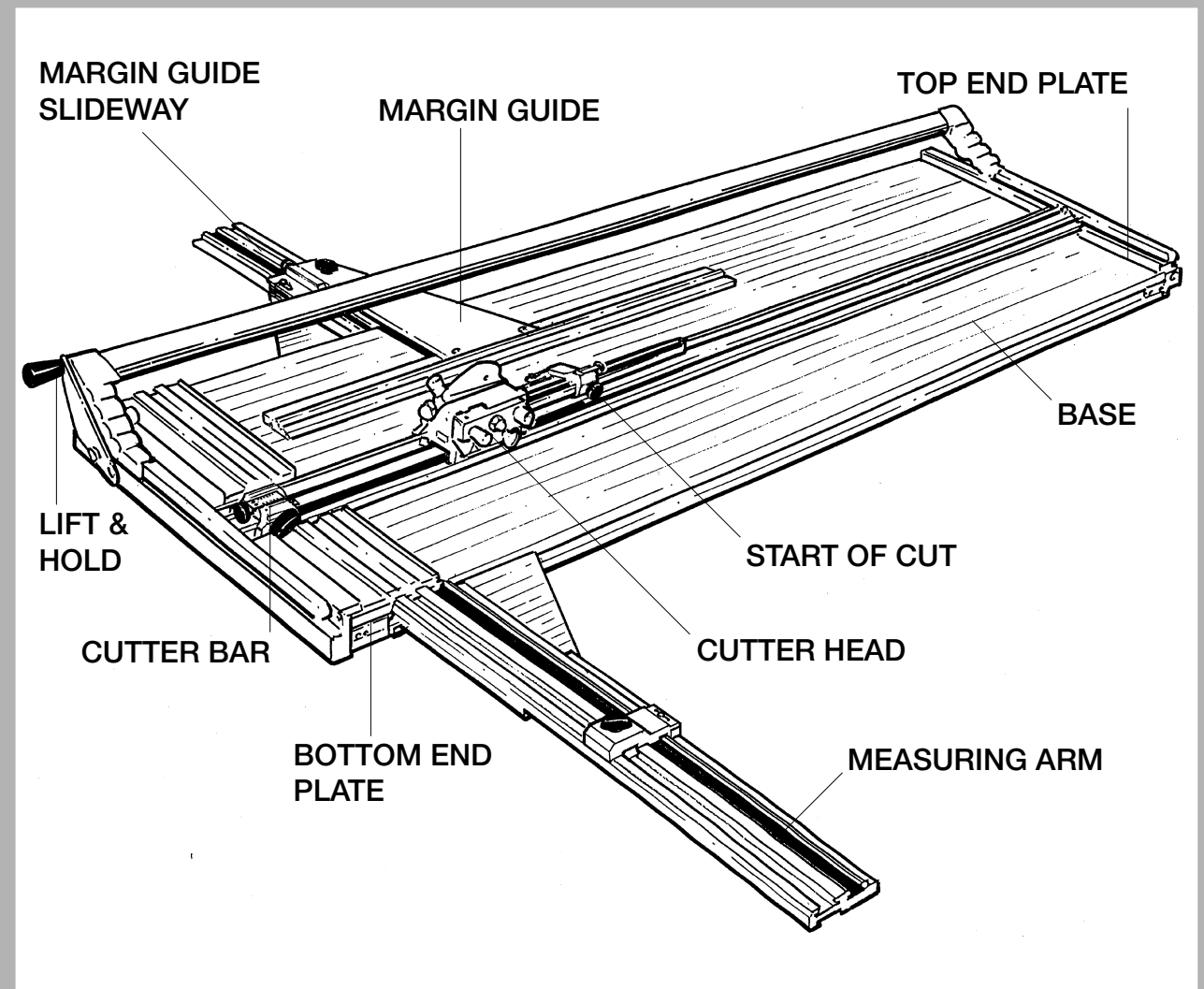
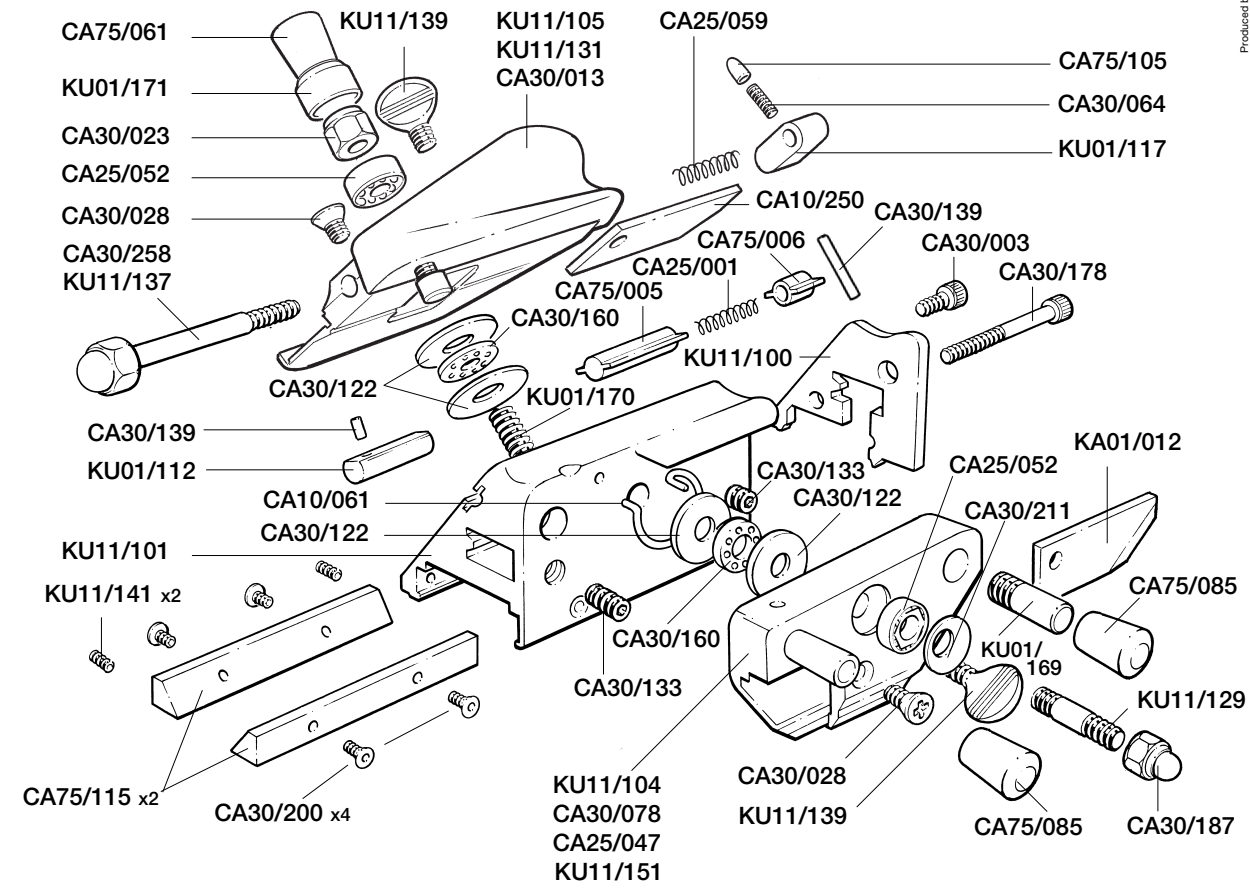
KEENCUT

ULTIMAT GOLD

SPARE PART REFERENCE



CUTTER HEAD



Produced by The Creative Workshop, all rights reserved. All information contained in this leaflet, or parts thereof, may not be reproduced in any form without permission of KEENCUT LIMITED.

KEENCUT THE WORLD'S FINEST CUTTING MACHINES

KEENCUT LIMITED,
Baird Road, Willowbrook Industrial Estate, Corby,
Northamptonshire, ENGLAND NN17 5ZA.
TELEPHONE: 01536 263158 FAX: 01536 204227

KEENCUT INC., (North American Sales)
3560 Pine Grove Ave.#366 Port Huron, Michigan, 48060 USA.
Toll Free: 1 800 240 KEEN(5336)
TELEPHONE: 1(519) 652 0970 FAX: 1(519) 652 0396

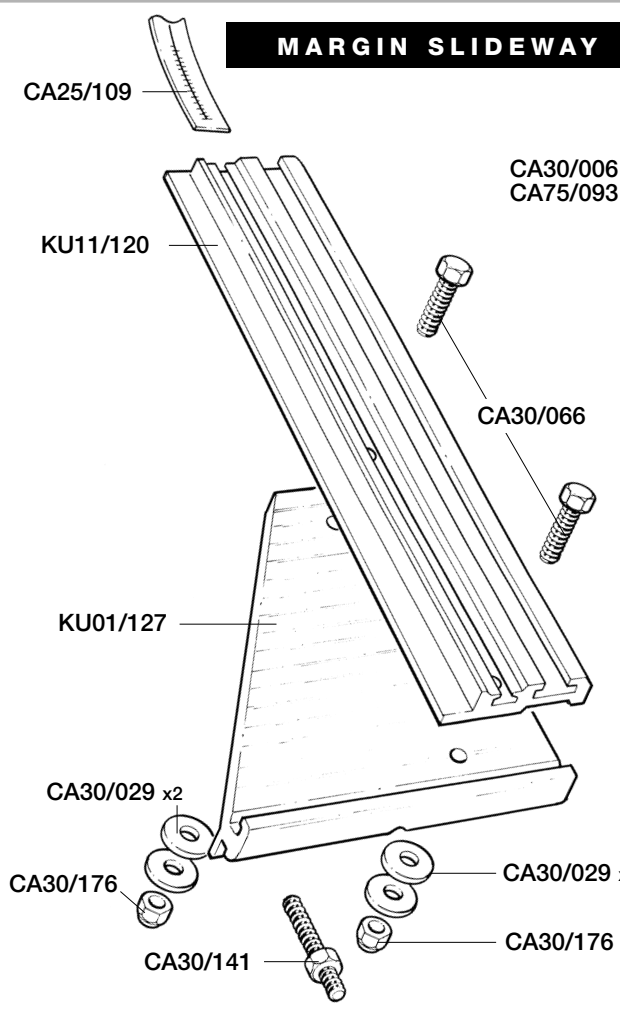
JULY 2008

KEENCUT THE WORLD'S FINEST CUTTING MACHINES

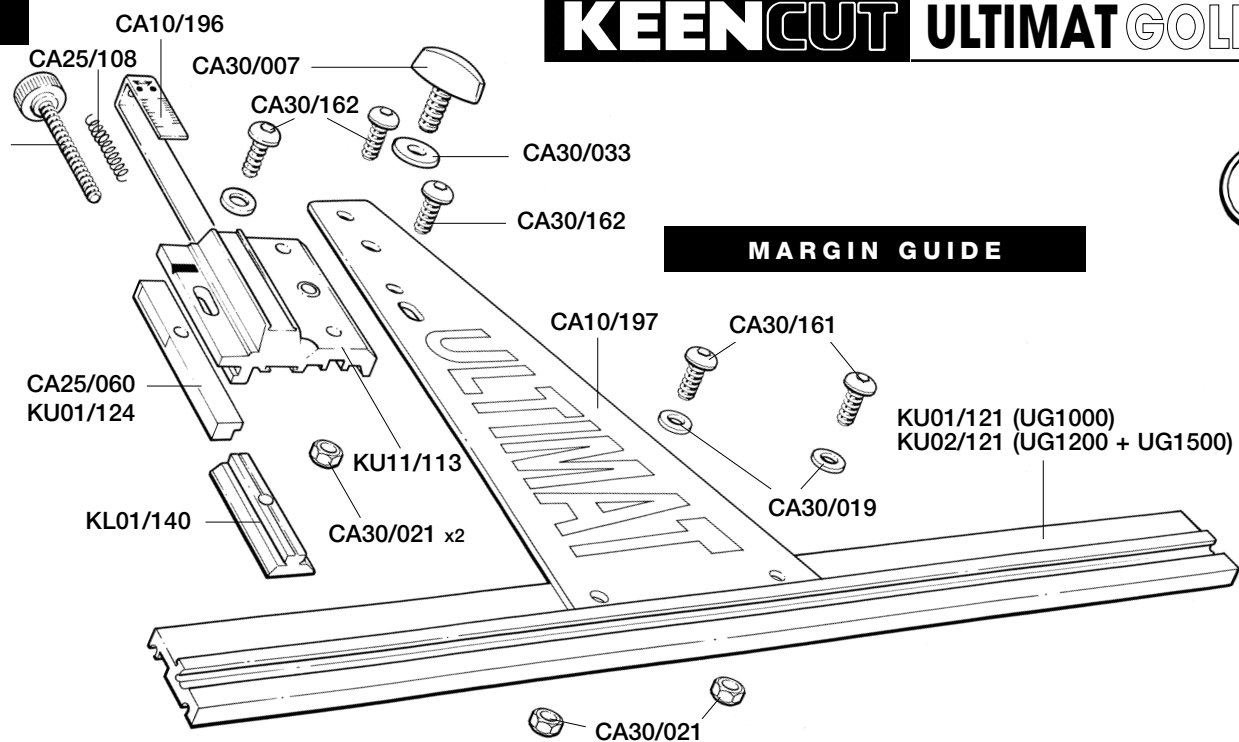
KEENCUT ULTIMAT GOLD

N.B. Fixings blocks for Top End Plate are of type **KU01/132** and not **KU01/153**.

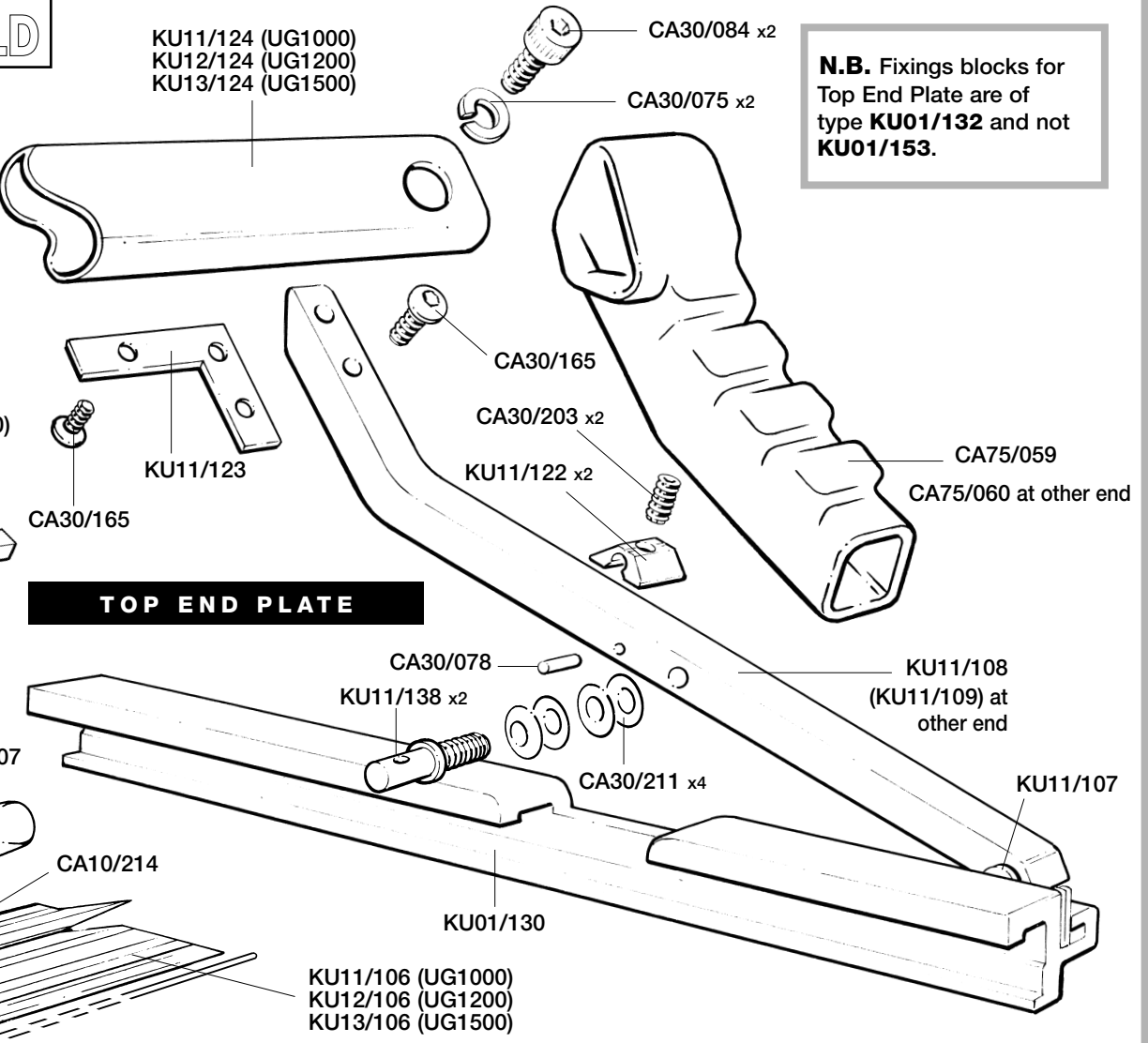
MARGIN SLIDEWAY



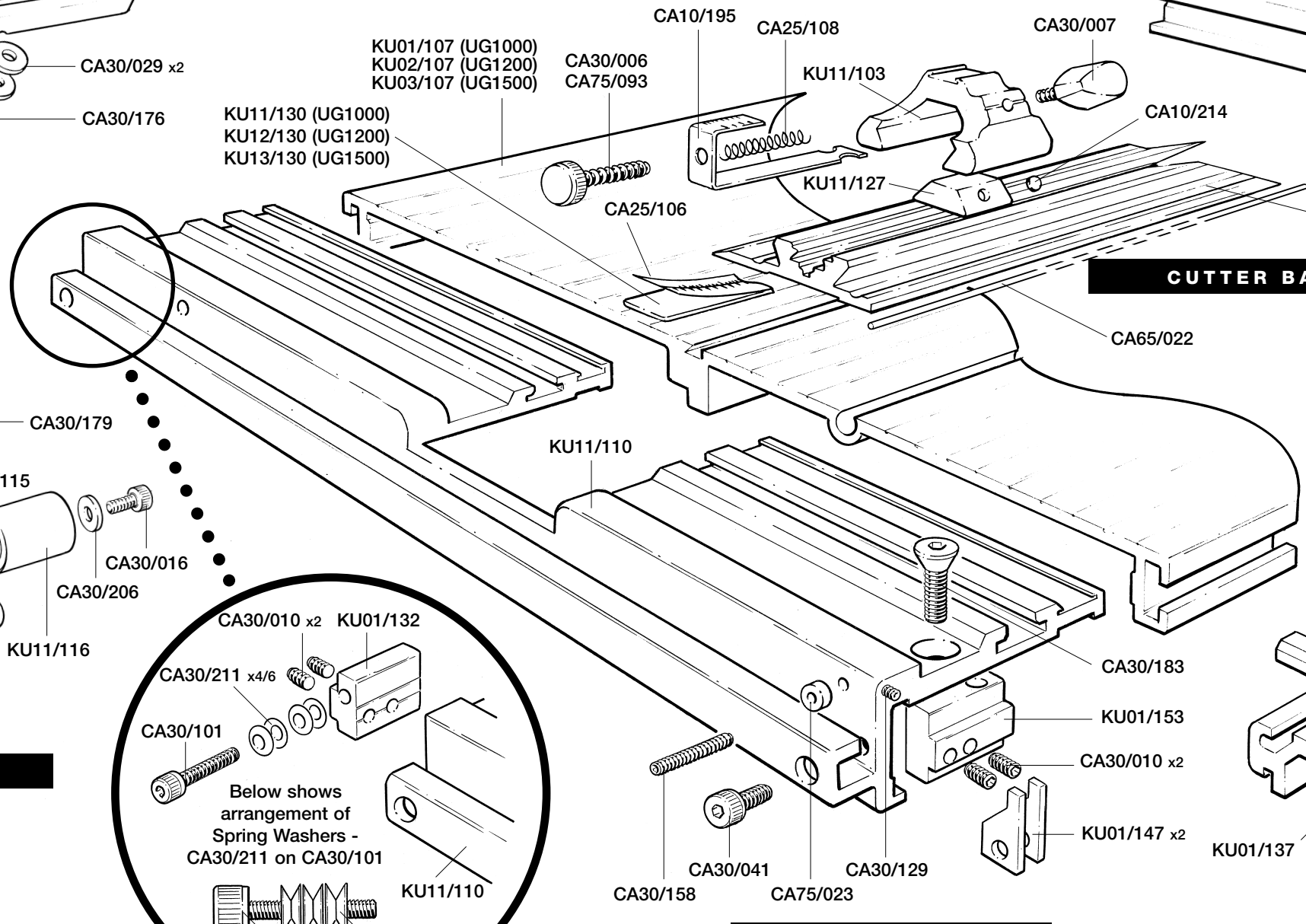
MARGIN GUIDE



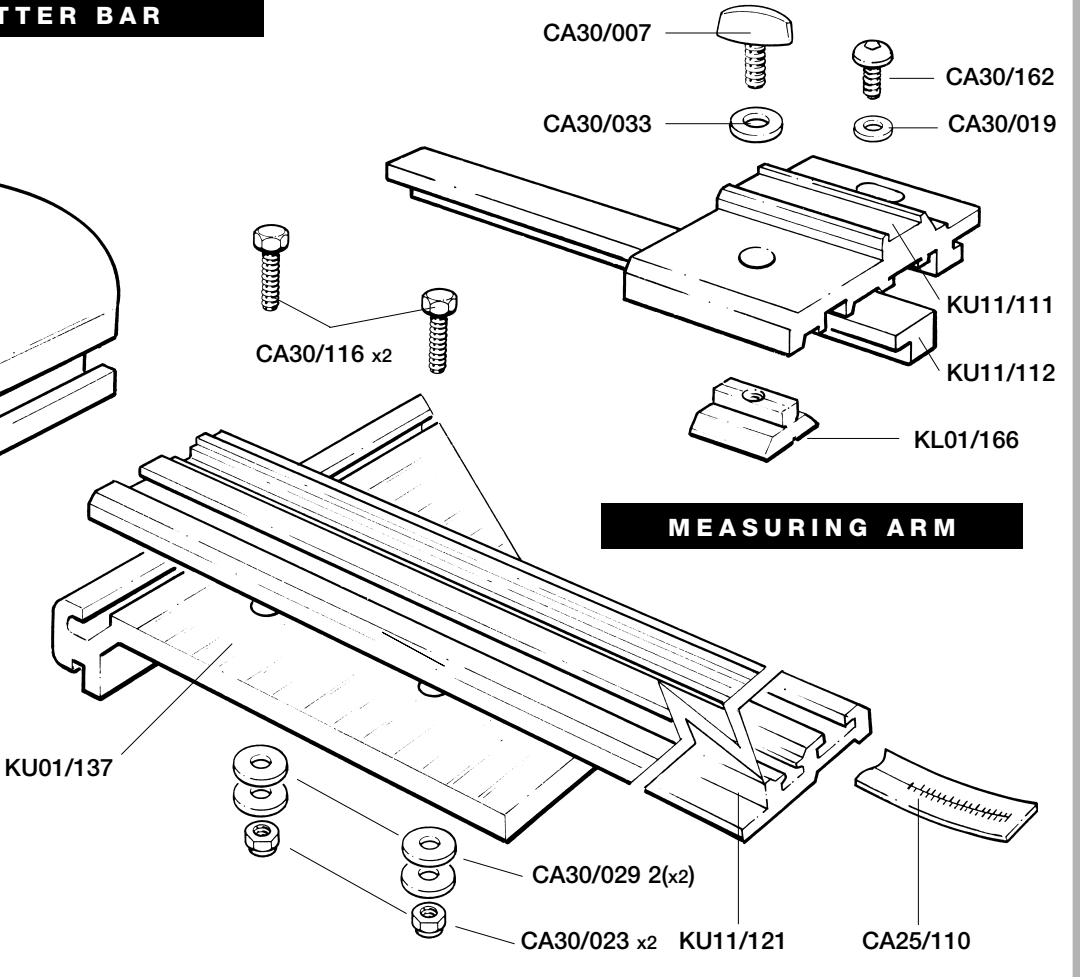
TOP END PLATE



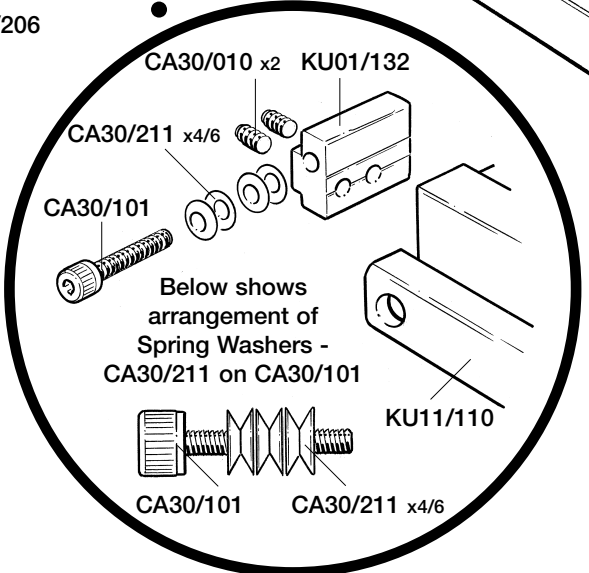
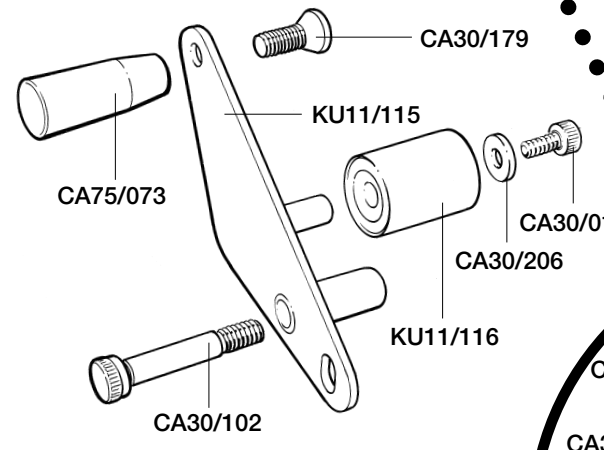
CUTTER BAR



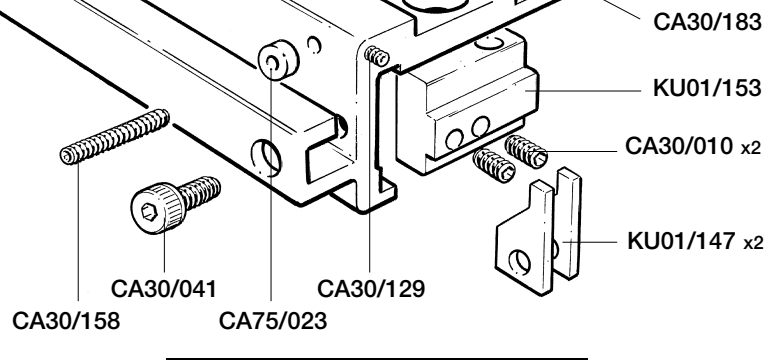
MEASURING ARM



LIFT & HOLD



BOTTOM END PLATE





For sales, service and spare parts

www.apm-mouldings.com.au

APM Mouldings 120-130 Bolinda Rd Campbellfield, VIC 3061
Ph: 03 8301 9199 | Fax 03 9357 4077 | Email apmoffice@chamton.com
www.apm-mouldings.com.au

Australian Owned Family Company
Quality Moulding Manufacturers and Distributors



FOR ORDERS
Available 24/7

